

ZOOMLION TELESCOPIC BOOM LIFT ZT42J

Comply with CE Standard

FEATURES

Standard Features

Horn
Proportional control
All motion alarm
Flashing beacon
Self-closing entry gate
Emergency descent system
Emergency stop button
Auto-leveling system
On-board diagnostic system
Tilt protection system
Oscillating axle
Load sensing system
4.3' Led display
Swing-out engine tray

Accessories & Options

- ▶ Platform work light
- ▶ Anti-collision device
- ▶ AC power to platform
- ▶ Outrigger in-situ telescopic function

HIGHLIGHTS

- ▶ Perform dual capacity design, up to 300/454kg (660/1000lb)
- ▶ Rough terrain chassis features swing axle function, easy to achieve 45% gradeability
- ▶ Creative outrigger telescopic method; strong field applicability, low telescopic failure rate, and effective prevention of abnormal tire wear (option)
- ▶ Smooth & stable boom extension, the telescopic efficiency of the boom is increased by 30% compared with that of the double-cylinder telescopic boom
- ▶ Better work envelop performance, 10% larger than competitor
- ▶ R-shaped slider and U-shaped channel steel design at the bottom of the boom, effectively reducing the lateral deflection of the boom
- ▶ U-shaped boom design effectively reduces the weight of the boom and deflection, and provides better machine stability
- ▶ Jib rotary function provides larger working range and more flexible motion
- ▶ Swing-out engine tray



ACCESS WITH ZOOMLION GREEN

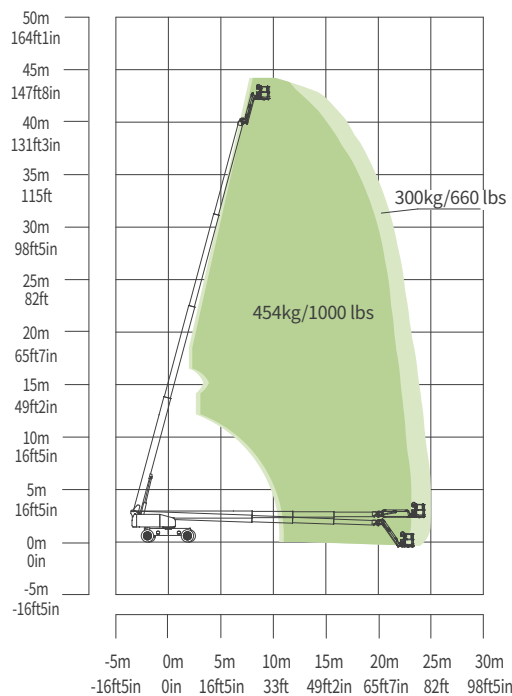
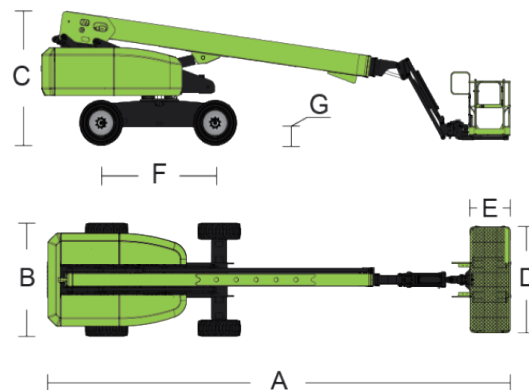
Phone: 0086(731)-88353680 0086(731)-88250971
E-mail: awp@zoomlion.com

Add: 701 Xulong Nan Lu, Xiangjiang New District, Changsha Hunan, China
Web: www.zoomlion-access.com

MAIN SPECS OF TELESCOPIC BOOM LIFT ZT42J

Comply with CE Standard

Model	ZT42J	
	Imperial	Metric
Size		
Work Height	144ft 7in	44.08m
Platform Height	138ft 1in	42.08m
Horizontal Outreach	82ft	25m
A - Stowed Length	42ft 8in	13m
B - Stowed Width	8ft 2in	2.49m
C - Stowed Height	9ft 10in	3m
D - Platform Length	8ft	2.44m
E - Platform Width	3ft	0.91m
F - Wheelbase	12ft 6in	3.81m
Tread	8ft 2in/12ft 8in	2.49/3.87m
G - Ground Clearance	1ft 4in	0.41m
Performance		
Platform Capacity (Unrestricted/Restricted)	660/1000lb	300/454kg
Drive Speed (Stowed)	3.1mph	5km/h
Gradeability	45% (24°)	
Turning Radius (Inside)	10ft 10in/25ft 3in	3.3/7.7m
Turning Radius (Outside)	26ft 11in/35ft 5in	8.2/10.8m
Turntable Swing	360° continuous	
Platform Rotation	±90°	
Tail Swing	5ft 6in	1.67m
Jib (Range of Articulation)	130° (-55°~75°)	
Max. Wind Speed	28mph	12.5m/s
Power		
Engine	Cummins QSF 2.8 54kW/2400rpm (EU III) Kubota V2607 55.4kW/2700rpm (EU V)	
Fuel Tank Capacity	52.8 (us gal)	200L
Control Voltage	12V DC	
Hydraulic Tank Capacity	66 (us gal)	250L
Drive Mode	4WD	
Steering Mode	Four wheels/Front wheel/Crab	
Tire		
Type	IN445/50 D710 Foam-filled Tires	
Weight		
Gross	48722lb	22100kg



Range of Motion ZT42J